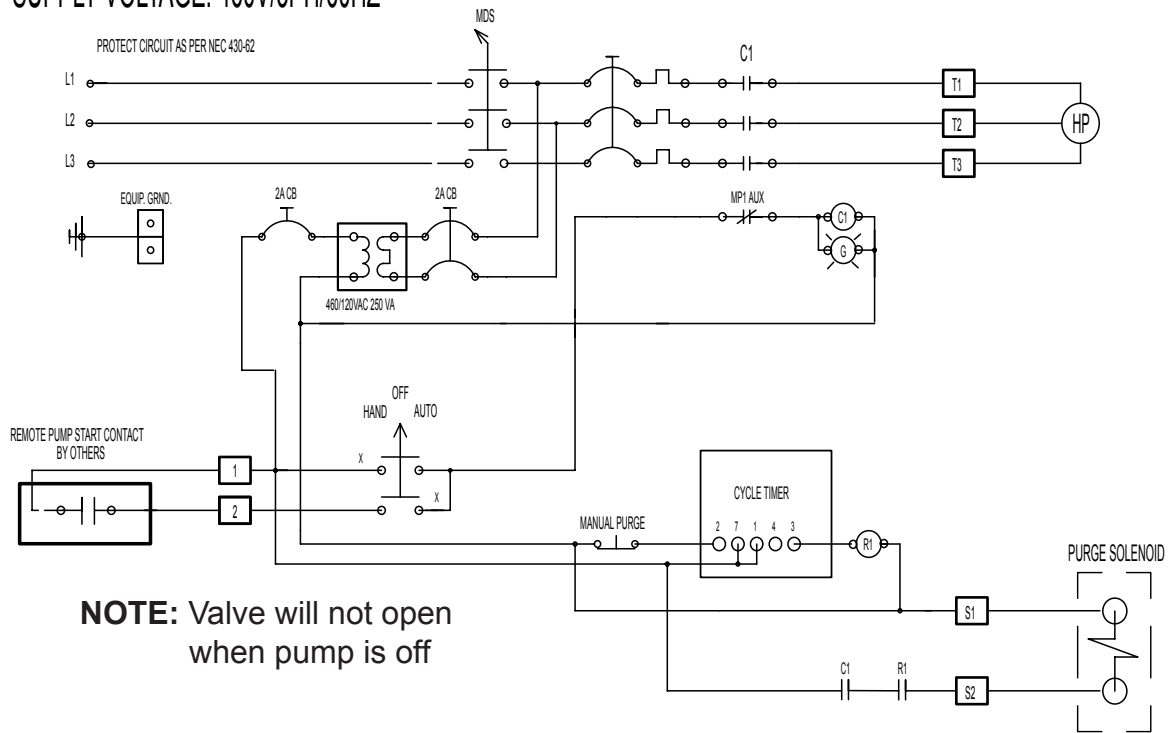


## WIRING, CYC TIMER & MBVFS VALVE (CSS ONLY)

SUPPLY VOLTAGE: 460V/3PH/60HZ



SUPPLY VOLTAGE: 575V/3PH/60HZ

