

MOMENTARY OUTPUT SETTINGS, CS TIMERS

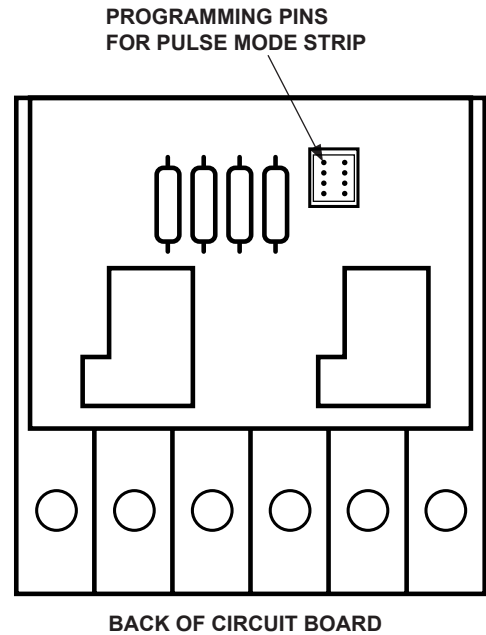
1. Momentary (pulse) mode is established by placing a jumper block across a pair of adjacent programming pins on the pulse mode strip. This will determine the “ON” pulse duration, ranging from 1.2 seconds to 8.4 seconds.

NOTE: Omitting the jumper block will result in normal ON/OFF set point operation for both output 1 and 2.

2. Once a pulse duration has been selected, output 1 will switch “ON” for the time determined at either:
 (a) each operation of the ON/OFF button
 (b) each occurrence of a programmed “ON” time.

(Only “ON” set points will be allowed for output 1 when the program is entered). Placing a jumper block across the top position of the pulse mode strip causes output 2 to also operate in the pulse mode. Without this jumper block, output 2 remains in normal (maintained output) ON/OFF set point operation.

3. The jumper blocks (found in the plastic bag) can be installed using needle nose pliers or forceps. Though the jumper blocks look a little different at each end, there is no top or bottom. Either end may be up without consequence.



	No Momentary Output	PULSE MODE (OUTPUT 1) WITH PULSE DURATION OF:							SLOT 1
		1.2 SEC.	2.4 SEC.	3.6 SEC.	4.8 SEC.	6.0 SEC.	7.2 SEC.	8.4 SEC.	
OUTPUT 1: MOMENTARY OUTPUT (IF DURATION IS SELECTED)									SLOT 3
OUTPUT 2: MAINTAINED OUTPUT OPERATION									SLOT 4

	No Momentary Output	PULSE MODE (OUTPUT 2) WITH PULSE DURATION OF:							SLOT 1
		1.2 SEC.	2.4 SEC.	3.6 SEC.	4.8 SEC.	6.0 SEC.	7.2 SEC.	8.4 SEC.	
OUTPUT 1: MOMENTARY OUTPUT (IF DURATION IS SELECTED)									SLOT 3
OUTPUT 2: MOMENTARY OUTPUT (IF DURATION IS SELECTED)									SLOT 4

NOTE: To make output 2 momentary output, add jumper block to top programming pins. The momentary duration will be the same as selected for output 1.