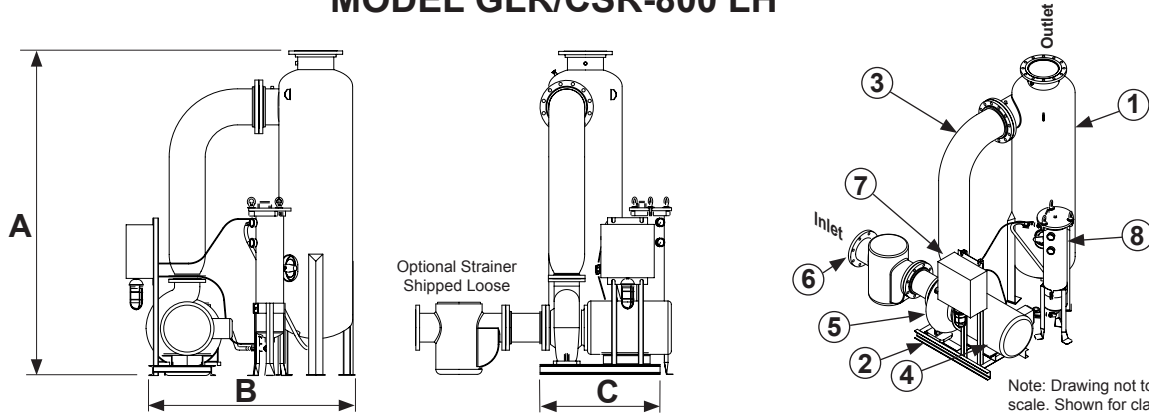


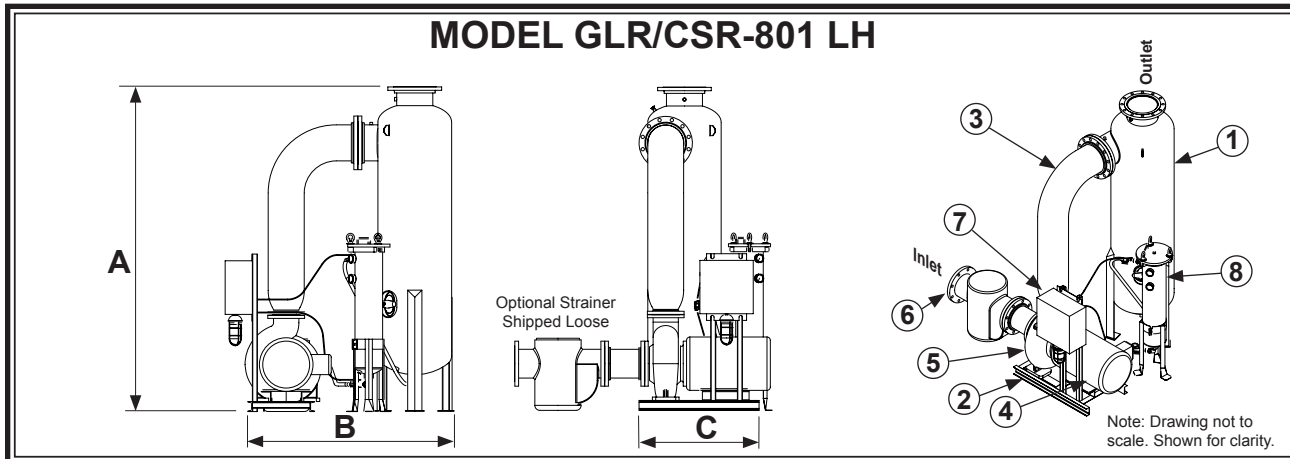
MODEL GLR/CSR-800 LH



SECTION 3

SYSTEM MODEL		GLR-800-LH	CSR-800-LH
	Design Flow Rate, GPM	1400@30 TDH	1400@40 TDH
Item 1	Separator Model	CS-8T-FLG Carbon Steel, Powder Coated	
Item 2	Frame Construction	Carbon Steel, Powder Coated	
Item 3	Pipe Assembly	Carbon Steel, Rust Inhibitor Primer with Enamel Finish	
MOTOR 460 VAC TEFC			
Item 4	Horsepower	20 hp	
	Approximate Amps @ 460V	27 amps	
	RPM	1750	
PUMP			
Item 5	Pump Casing	Cast Iron	
	Pump Impeller	Bronze	
	Std. Mechanical Seal	VITON Elastomer, Silicon Carbide Seat, Carbon Rotary	
BASKET STRAINER (Optional)			
Item 6	Body Construction	Cast Iron	
	Internal Screen	1/4" Perforated 304 Stainless Steel	
	Connection Type	Class 150 Flange	
CONTROL PANEL (UL listed and labeled, manufactured to UL-508A Std.)			
Item 7	Enclosure	NEMA 4 Powder Coated, Watertight, UL listed and CSA approved	
	Electrical Components	Starter with Thermal Overload, HOA, 460/120 Transformer with Circuit Breakers, Pump "RUN" Light, Lockable Door Disconnect, Magnetic Contactor, Manufactured with all UL listed & CSA approved electrical components.	
	Service Light (Optional)	25 Watt, Amber, 120 VAC	
RECOVERY TANK			
Item 8	Body Construction	304 Stainless Steel	
	Internal Screen	304 Stainless Steel	
	Filter Bag	25 Micron Polypropylene	
	Differential Press. Switch	Dial Indicator with N.O. Dry Contact	
SPECIFICATIONS			
	Dim "A"	79-1/2"	
	Dim "B"	54-7/8"	
	Dim "C"	37"	
	Max. Inlet P.S.I.	100	
	Max. Operating P.S.I.	150	
	Max. Operating Temp.	120°F	
	Inlet with or without Strainer (Class 150 Flange)	8"	
	Outlet (Class 150 Flange)	8"	
	Shipping Weight	2800 Lbs	

Note: Dimensions are approximate and are for reference only. Dimensions subject to change without notice. Weights are approximate.



SYSTEM MODEL		GLR-801-LH	CSR-801-LH
	Design Flow Rate, GPM	1700@30 TDH	1700@40 TDH
Item 1	Separator Model	CS-8T-FLG Carbon Steel, Powder Coated	
Item 2	Frame Construction	Carbon Steel, Powder Coated	
Item 3	Pipe Assembly	Carbon Steel, Rust Inhibitor Primer with Enamel Finish	
MOTOR 460 VAC TEFC			
Item 4	Horsepower	25 hp	
	Approximate Amps @ 460V	34 amps	
	RPM	1750	
PUMP			
Item 5	Pump Casing	Cast Iron	
	Pump Impeller	Bronze	
	Std. Mechanical Seal	VITON Elastomer, Silicon Carbide Seat, Carbon Rotary	
BASKET STRAINER (Optional)			
Item 6	Body Construction	Cast Iron	
	Internal Screen	1/4" Perforated 304 Stainless Steel	
	Connection Type	Class 150 Flange	
CONTROL PANEL (UL listed and labeled, manufactured to UL-508A Std.)			
Item 7	Enclosure	NEMA 4 Powder Coated, Watertight, UL listed and CSA approved	
	Electrical Components	Starter with Thermal Overload, HOA, 460/120 Transformer with Circuit Breakers, Pump "RUN" Light, Lockable Door Disconnect, Magnetic Contactor, Manufactured with all UL listed & CSA approved electrical components.	
	Service Light (Optional)	25 Watt, Amber, 120 VAC	
RECOVERY TANK			
Item 8	Body Construction	304 Stainless Steel	
	Internal Screen	304 Stainless Steel	
	Filter Bag	25 Micron Polypropylene	
	Differential Press. Switch	Dial Indicator with N.O. Dry Contact	
SPECIFICATIONS			
	Dim "A"	79-1/2"	
	Dim "B"	54-7/8"	
	Dim "C"	37"	
	Max. Inlet P.S.I.	100	
	Max. Operating P.S.I.	150	
	Max. Operating Temp.	120°F	
	Inlet with or without Strainer (Class 150 Flange)	8"	
	Outlet (Class 150 Flange)	8"	
	Shipping Weight	2800 Lbs	

Note: Dimensions are approximate and are for reference only. Dimensions subject to change without notice. Weights are approximate.