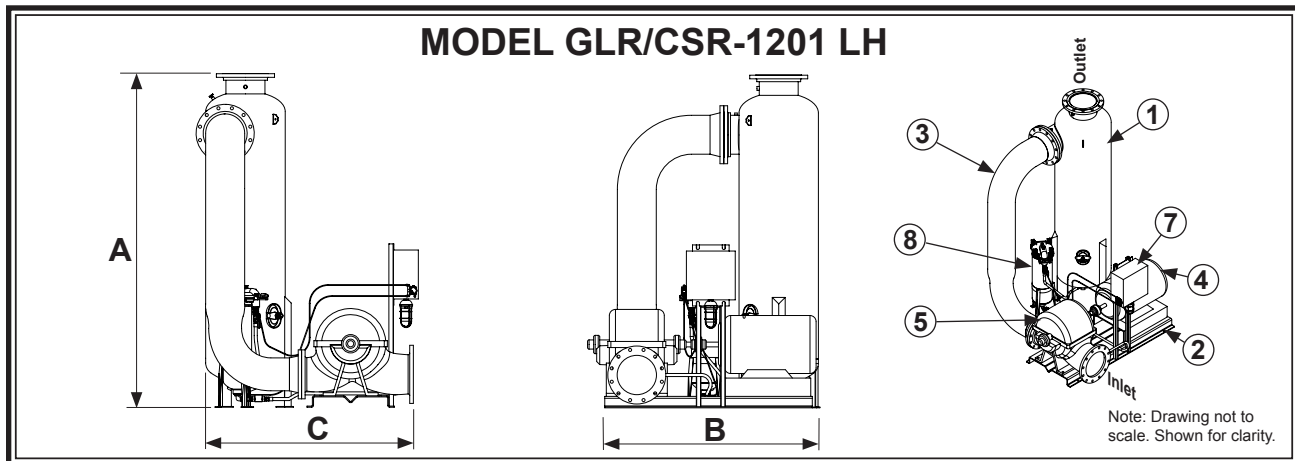


SYSTEM MODEL		GLR-1200-LH	CSR-1200-LH
	Design Flow Rate, GPM	2900@30 TDH	2900@40 TDH
Item 1	Separator Model	CS-12T-FLG Carbon Steel, Powder Coated	
Item 2	Frame Construction	Carbon Steel, Powder Coated	
Item 3	Pipe Assembly	Carbon Steel, Rust Inhibitor Primer with Enamel Finish	
<b>MOTOR 460 VAC TEFC</b>			
Item 4	Horsepower	40 hp	
	Approximate Amps @ 460V	52 amps	
	RPM	1150	
<b>PUMP</b>			
Item 5	Pump Casing	Cast Iron	
	Pump Impeller	Bronze	
	Std. Mechanical Seal	VITON Elastomer, Silicon Carbide Seat, Carbon Rotary	
<b>Y-STRAINER (Optional)</b>			
Item 6	Body Construction	Cast Iron	
	Internal Screen	1/4" Perforated 304 Stainless Steel	
	Connection Type	Class 150 Flange	
<b>CONTROL PANEL (UL listed and labeled, manufactured to UL-508A Std.)</b>			
Item 7	Enclosure	NEMA 4 Powder Coated, Watertight, UL listed and CSA approved	
	Electrical Components	Starter with Thermal Overload, HOA, 460/120 Transformer with Circuit Breakers, Pump "RUN" Light, Lockable Door Disconnect, Magnetic Contactor, Manufactured with all UL listed & CSA approved electrical components.	
	Service Light (Optional)	25 Watt, Amber, 120 VAC	
<b>RECOVERY TANK</b>			
Item 8	Body Construction	304 Stainless Steel	
	Internal Screen	304 Stainless Steel	
	Filter Bag	25 Micron Polypropylene	
	Differential Press. Switch	Dial Indicator with N.O. Dry Contact	
<b>SPECIFICATIONS</b>			
	Dim "A"	109-3/8"	
	Dim "B"	68-1/2"	
	Dim "C"	106"	
	Max. Inlet P.S.I.	100	
	Max. Operating P.S.I.	150	
	Max. Operating Temp.	120°F	
	Inlet with or without Strainer (Class 150 Flange)	12"	
	Outlet (Class 150 Flange)	12"	
	Shipping Weight	5600 Lbs	

Note: Dimensions are approximate and are for reference only. Dimensions subject to change without notice. Weights are approximate.



SYSTEM MODEL		GLR-1201-LH	CSR-1201-LH
	Design Flow Rate, GPM	3700@30 TDH	3700@40 TDH
Item 1	Separator Model	CS-12T-FLG Carbon Steel, Powder Coated	
Item 2	Frame Construction	Carbon Steel, Powder Coated	
Item 3	Pipe Assembly	Carbon Steel, Rust Inhibitor Primer with Enamel Finish	
<b>MOTOR 460 VAC TEFC</b>			
Item 4	Horsepower	50 hp	
	Approximate Amps @ 460V	65 amps	
	RPM	1150	
<b>PUMP</b>			
Item 5	Pump Casing	Cast Iron	
	Pump Impeller	Bronze	
	Std. Mechanical Seal	VITON Elastomer, Silicon Carbide Seat, Carbon Rotary	
<b>Y-STRAINER (Optional)</b>			
Item 6	Body Construction	Cast Iron	
	Internal Screen	1/4" Perforated 304 Stainless Steel	
	Connection Type	Class 150 Flange	
<b>CONTROL PANEL (UL listed and labeled, manufactured to UL-508A Std.)</b>			
Item 7	Enclosure	NEMA 4 Powder Coated, Watertight, UL listed and CSA approved	
	Electrical Components	Starter with Thermal Overload, HOA, 460/120 Transformer with Circuit Breakers, Pump "RUN" Light, Lockable Door Disconnect, Magnetic Contactor, Manufactured with all UL listed & CSA approved electrical components.	
	Service Light (Optional)	25 Watt, Amber, 120 VAC	
<b>RECOVERY TANK</b>			
Item 8	Body Construction	304 Stainless Steel	
	Internal Screen	304 Stainless Steel	
	Filter Bag	25 Micron Polypropylene	
	Differential Press. Switch	Dial Indicator with N.O. Dry Contact	
<b>SPECIFICATIONS</b>			
	Dim "A"	109-3/8"	
	Dim "B"	68-1/2"	
	Dim "C"	106"	
	Max. Inlet P.S.I.	100	
	Max. Operating P.S.I.	150	
	Max. Operating Temp.	120°F	
	Inlet with or without Strainer (Class 150 Flange)	12"	
	Outlet (Class 150 Flange)	12"	
	Shipping Weight	5600 Lbs	

Note: Dimensions are approximate and are for reference only. Dimensions subject to change without notice. Weights are approximate.